



# BioCheck Valves



The **BioCheck sampling valves serie PB** allow easy and safe sampling from closed systems like vessels and pipings. The most important features are the **aseptic** and the **very compact** design, so that the integration into sterile production lines and into CIP/SIP-circulations runs easily and **without any contamination**.

The valves are **dead space free** and can be cleaned in an easy way. The PTFE-bellows guarantees **hermetic** sealing against environment, which is also sealing to the product side.

## Your advantages

<b>Design</b>	Valve body made from solid bar dead space free completely drainable connections suitable for orbital welding <b>also available with only 1 port</b> <b>- same price -</b>
<b>Absolute product safety</b>	hermetically sealed against environment easy and thorough cleaning
<b>Serviceable maintenance</b>	change of seals without special tools less standing times
<b>Efficiency</b>	long life of the PTFE-bellows low spare part costs
<b>Application</b>	pharmaceutic and bio-chemical industries, cosmetic industry, food, dairy and beverage industries

## Technical Data

<b>Material</b>	product contact	AISI316L
	non product contact	1.4301/AISI304
<b>Seals</b>	bellows	PTFE
<b>Temperatures maximum</b>	operating temperature	121 °C* (250 °F)
	sterilization-temperature	135 °C* (275 °F)
	*dependent on operating conditions	short-time* (approx. 20 min)
<b>Pressures</b>	closing pressure:	max.10 bar (145 psi)
	control air pressure	min. 6 bar (87 psi) max.10 bar (145 psi)
<b>Surfaces</b>	product contact	Ra <= 0,8 µm
	optional non product contact	electro polished Ra <=1,6 µm
<b>Types</b>	S = self-closing lever O = with lever for „open“ position P = without lever H = manual with hand wheel	
<b>Stroke</b>	standard DN 10	= 3 mm
	Mini DN 6 and 8	= 2 mm
	Ingold version	= 5 mm



**certified according to TA-Luft  
Helium leakage test  
VDI 2440 / VDI 3479**

**versions 3-A  
with long lantern  
see page 14**

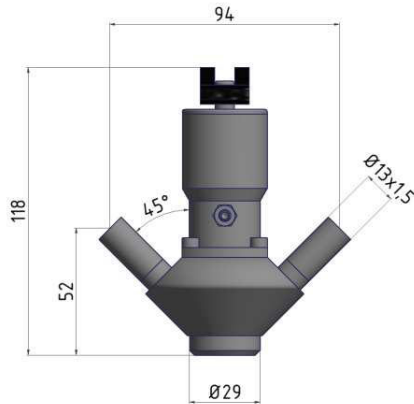


**certificates see  
[www.rr-rieger.de](http://www.rr-rieger.de)**



## BioCheck DN 10 pneumatic with lever

air to open-spring to close NC – for tank

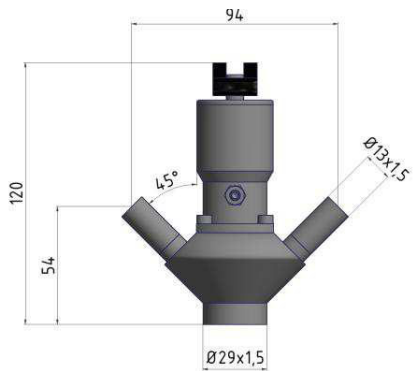


PB1.02.001

Type	kg	Reference Number	Price
S	0,9	70101.2110.01.0001.32	430 €
O	0,9	70102.2110.01.0001.32	430 €
P	0,9	70103.2110.01.0001.32	430 €
for 4 mm wall thickness maximum			
Reference number for version with 1 outlet:			
e.g. 70101.2 <u>01</u> 0.01.0001.32			
same price			

## BioCheck DN 10 pneumatic with lever

air to open-spring to close NC - for piping



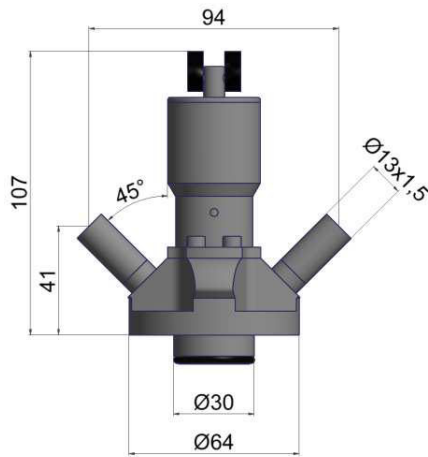
PB1.02.011

Type	kg	Reference Number	Price
S	0,9	70201.2110.01.0001.32	430 €
O	0,9	70202.2110.01.0001.32	430 €
P	0,9	70203.2110.01.0001.32	430 €
Reference number for version with 1 outlet:			
e.g. 70201.2 <u>01</u> 0.01.0001.32			
same price			



## BioCheck DN 10 pneumatic with lever

air to open-spring to close NC - for BioControl connection DN 25

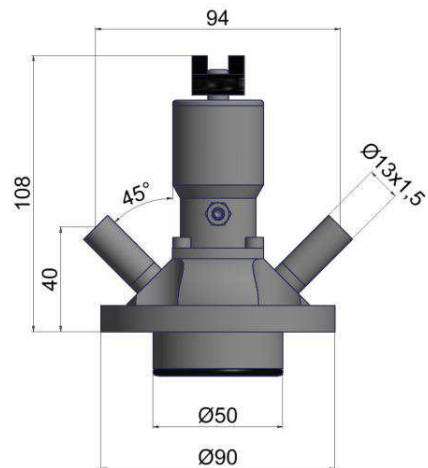


PB1.02.031

Type	kg	Reference Number	Price
S	0,9	70401.2110.01.0401.32	485 €
O	0,9	70402.2110.01.0401.32	485 €
P	0,9	70403.2110.01.0401.32	485 €
including O-ring 23,5 x 3 EPDM reference number 1000675			
Reference number for version with 1 outlet:			
e.g. 70401.2 <u>0</u> 10.01.0401.32			
same price			

## BioCheck DN 10 pneumatic with lever

air to open-spring to close NC - for BioControl connection DN 50



PB1.02.041

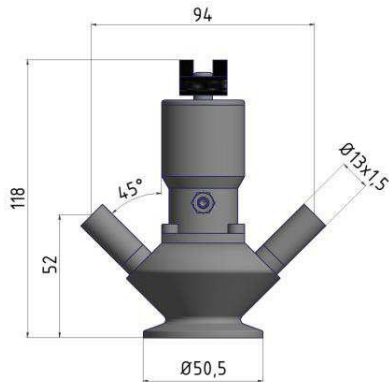
Type	kg	Reference number	Price
S	0,9	70401.2110.01.0701.32	518 €
O	0,9	70402.2110.01.0701.32	518 €
P	0,9	70403.2110.01.0701.32	518 €
including O-ring 42 x 3 EPDM reference number 1000040			
Reference number for version with 1 outlet:			
e.g. 70401.2 <u>0</u> 10.01.0701.32			
same price			



## BioCheck DN 10 pneumatic with lever

air to open-spring to close NC - for Tri-Clamp connection DIN 32676

PB1.02.021



Type	kg	Reference Number	Price
S	1	70301.2110.01.0001.32	465 €
O	1	70302.2110.01.0001.32	465 €
P	1	70303.2110.01.0001.32	465 €

Reference number for version with 1 outlet:

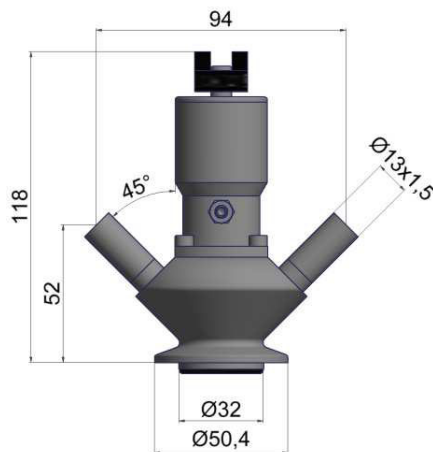
e.g. 70301.**2010**.01.0001.32

same price

## BioCheck DN 10 pneumatic with lever

air to open-spring to close NC - with BioConnect Clamp DN 25 DIN Form V

PB1.02.061



Type	kg	Reference Number	Price
S	1	70601.2110.01.0001.32	465 €
O	1	70602.2110.01.0001.32	465 €
P	1	70603.2110.01.0001.32	465 €

without O-ring

Reference number for version with 1 outlet:

e.g. 70601.**2010**.01.0001.32

same price

for BioConnect Clamp Form R DIN DN 25

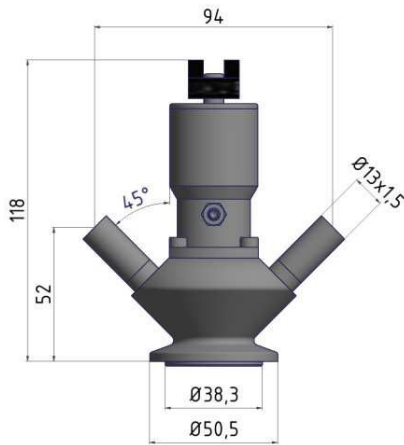
Reference number 109130000254100

for O-ring 27 x 3 EPDM Reference number 1000895



## BioCheck DN 10 pneumatic with lever

air to open-spring to close NC - with clamp ferrule with groove DIN 11864 DN 25 DIN



PB1.02.091-01-NKS25

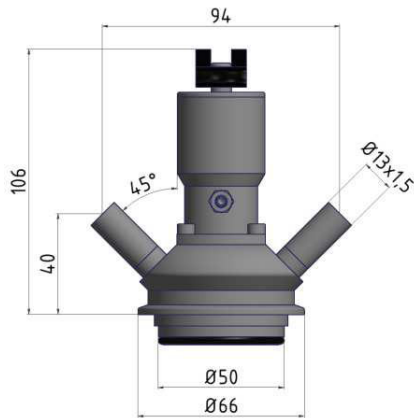
Type	kg	Reference number	Price
S	1	73101.2110.01.0001.32	515 €
O	1	73102.2110.01.0001.32	515 €
P	1	73103.2110.01.0001.32	515 €
without O-ring			
Reference number for version with 1 outlet:			
e.g. 73101. <u>2010</u> .01.0001.32			
same price			

for O-ring 22 x 3,5 EPDM Reference number 1000705



## BioCheck DN 10 pneumatic with lever

air to open-spring to close NC – for Varivent Inline body DN 25



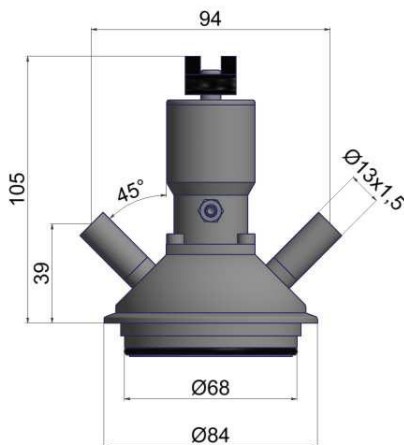
process connection type F

PB1.02.081 – dm 66 mm

Type	kg	Reference Number	Price
S	1	70501.2110.01.0401.32	518 €
O	1	70502.2110.01.0401.32	518 €
P	1	70503.2110.01.0401.32	518 €
including O-ring 43 x 3 EPDM reference number 1001437			
Reference number for version with 1 outlet:			
e.g. 70501.2 <u>0</u> 10.01.0401.32			
same price			

## BioCheck DN 10 pneumatic with lever

air to open-spring to close NC – for Varivent Inline body DN 40-125



process connection type N

PB1.02.051 – dm 84 mm

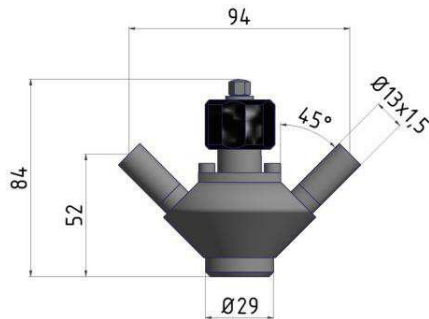
Type	kg	Reference Number	Price
S	1,3	70501.2110.01.0601.32	518 €
O	1,3	70502.2110.01.0601.32	518 €
P	1,3	70503.2110.01.0601.32	518 €
including O-ring 62 x 3 EPDM reference number 1000759			
Reference number for version with 1 outlet:			
e.g. 70501.2 <u>0</u> 10.01.0601.32			
same price			



## BioCheck DN 10 with hand wheel

for tank

PB4.02.001

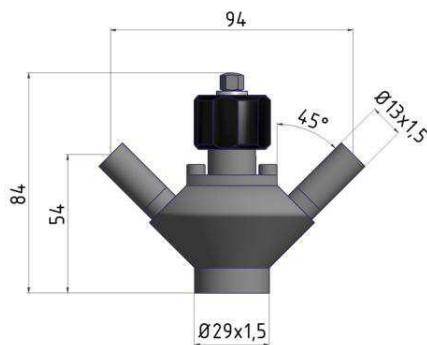


Type	kg	Reference Number	Price
H	0,7	70104.2110.01.0001.32	330 €
for 4 mm wall thickness maximum			
Reference number for version with 1 outlet:			
70104.2 <u>0</u> 10.01.0001.32			
same price			

## BioCheck DN 10 with hand wheel

for piping

PB4.02.011



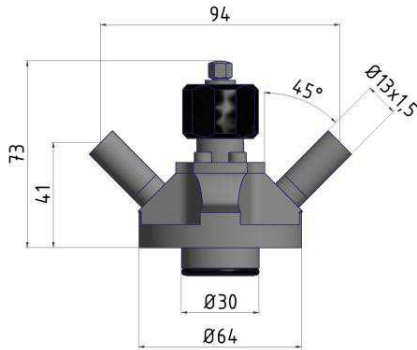
Type	kg	Reference Number	Price
H	0,7	70204.2110.01.0001.32	330 €
Reference number for version with 1 outlet:			
70204.2 <u>0</u> 10.01.0001.32			
same price			



## BioCheck DN 10 with hand wheel

for BioControl connection DN 25

PB4.02.031

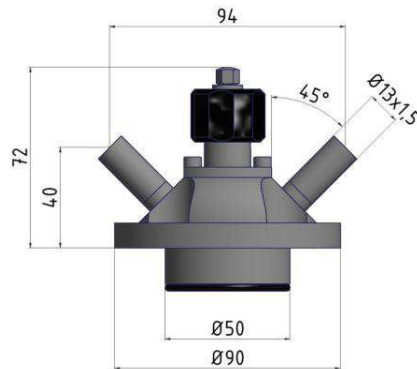


Type	kg	Reference Number	Price
H	0,7	70404.2110.01.0401.32	385 €
including O-ring 23,5 x 3 EPDM reference number 1000675			
Reference number for version with 1 outlet: 70404.2 <u>0</u> 10.01.0401.32			
same price			

## BioCheck DN 10 wit hand wheel

for BioControl connection DN 50

PB4.02.041



Type	kg	Reference Number	Price
H	0,7	70404.2110.01.0701.32	418 €
including O-ring 42 x 3 EPDM reference number 1000040			
Reference number for version with 1 outlet: 70404.2 <u>0</u> 10.01.0701.32			
same price			

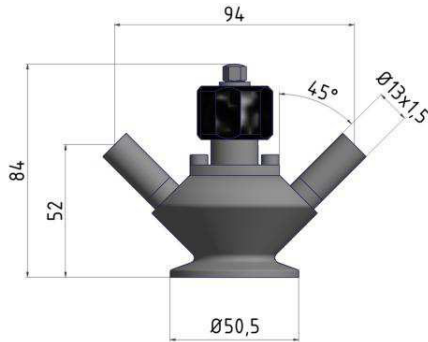




## BioCheck DN 10 with hand wheel

for Tri-Clamp DIN 32676

PB4.02.021

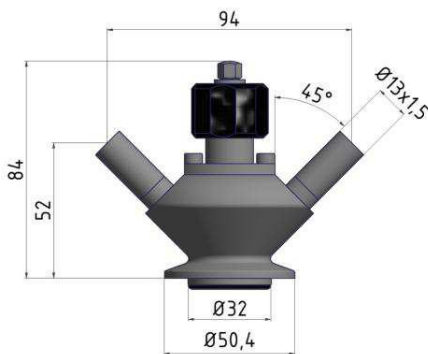


Type	kg	Reference Number	Price
H	0,7	70304.2110.01.0001.32	365 €
Reference number for version with 1 outlet: 70304.2 <u>010</u> .01.0001.32 same price			

## BioCheck DN 10 with hand wheel

with BioConnect Clamp DN 25 DIN Form V

PB4.02.061



Type	kg	Reference Number	Price
H	0,7	70604.2110.01.0001.32	365 €
without O-ring			
Reference number for version with 1 outlet: 70604.2 <u>010</u> .01.0001.32 same price			

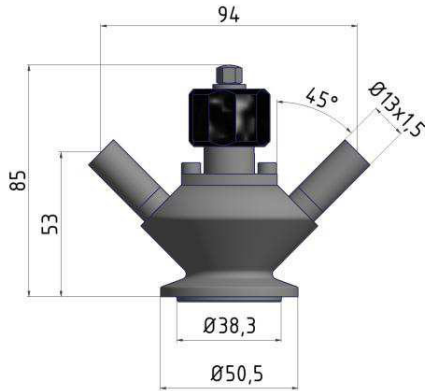
for BioConnect Clamp form R DIN DN 25  
reference number 109130000254100  
for O-ring 27 x 3 EPDM Reference number 1000895



## BioCheck DN 10 with hand wheel

with clamp ferrule with groove DIN 11864 DN 25 DIN

PB4.02.091-01-NKS25



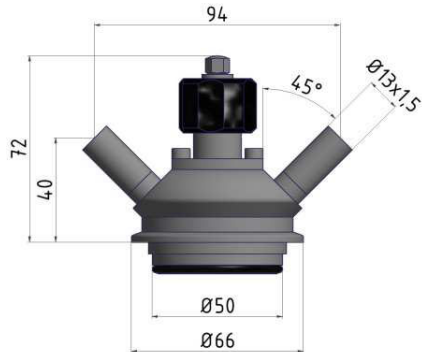
Type	kg	Reference Number	Price
H	0,7	73104.2110.01.0001.32	415 €
without O-ring			
Reference number for version with 1 outlet:			
73104.2 <u>01</u> 0.01.0001.32			
same price			

for O-ring 22 x 3,5 EPDM reference number 1000705



## BioCheck DN 10 with hand wheel

for Varivent Inline body DN 25



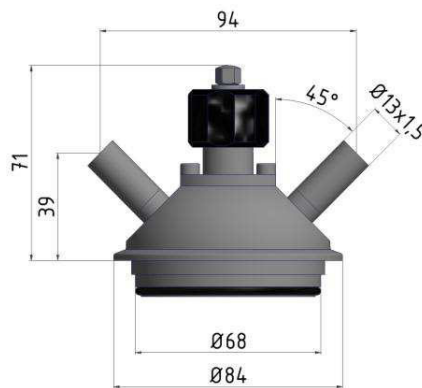
process connection type F

PB4.02.081 – dm 66 mm

Type	kg	Reference Number	Price
H	0,8	70504.2110.01.0401.32	420 €
including O-ring 43 x 3 EPDM reference number 1001437			
Reference number for version with 1 outlet:			
		70504.2 <u>0</u> 10.01.0401.32	
		same price	

## BioCheck DN 10 with hand wheel

for Varivent Inline body DN 40-125



process connection type N

PB4.02.051 – dm 84 mm

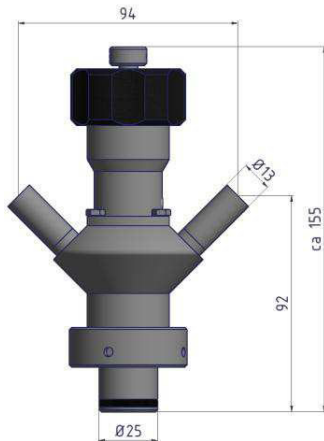
Type	kg	Reference Number	Price
H	1,1	70504.2110.01.0601.32	420 €
including O-ring 62 x 3 EPDM reference number 1000759			
Reference number for version with 1 outlet:			
		70504.2 <u>0</u> 10.01.0601.32	
		same price	



## BioCheck DN 10 with hand wheel

for Ingold nozzle

PB6.02.001 – for Ingold nozzle length 40 mm (30 mm and 47 mm upon request)

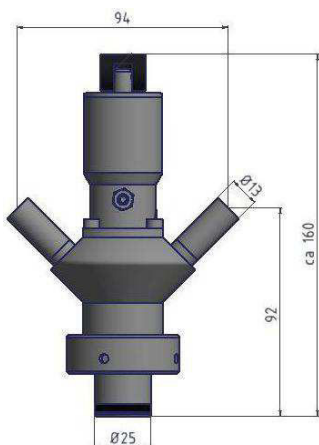


Type	kg	Reference Number	Price
without Ingold nozzle			
H	1,5	70704.2110.01.0501.32	609 €
with Ingold nozzle			
H	1,8	70704.2115.01.0501.32	696 €
including O-ring 19 x 3 EPDM reference number 1000102			
Reference number for version with 1 outlet:			
e.g. 70704.2010.01.0501.32			
same price			

## BioCheck DN 10 pneumatic with lever

air to open-spring to close NC – for Ingold nozzle

PB7.02.091 - for Ingold nozzle length 40 mm (30 mm and 47 mm upon request)



Type	kg	Reference Number	Price
without Ingold nozzle			
S	1,1	70701.2110.01.0501.32	584 €
O	1,1	70702.2110.01.0501.32	584 €
P	1,1	70703.2110.01.0501.32	584 €
with Ingold nozzle			
S	1,4	70701.2115.01.0501.32	671 €
O	1,4	70702.2115.01.0501.32	671 €
P	1,4	70703.2115.01.0501.32	671 €

S = with self-closing lever

O = with lever for open position

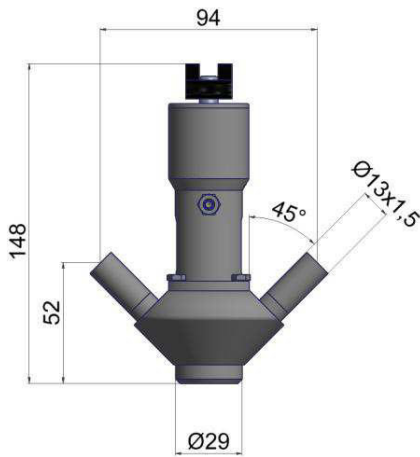
P = without lever

including O-ring 19 x 3 EPDM reference number 1000102



## BioCheck DN 10 pneumatic with lever – 3-A Standard 53-06

air to open-spring to close NC – for tank

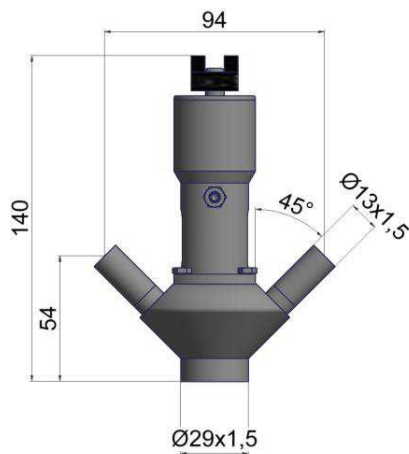


PB1.02.001

Type	kg	Reference Number	Price
S	1	70131.2110.01.0001.32	495 €
O	1	70132.2110.01.0001.32	495 €
P	1	70133.2110.01.0001.32	495 €
for 4 mm wall thickness maximum			
Reference number for version with 1 outlet:			
e.g. 70131.2 <u>010</u> .01.0001.32			
same price			

## BioCheck DN 10 pneumatic with lever – 3-A Standard 53-06

air to open-spring to close NC – for piping



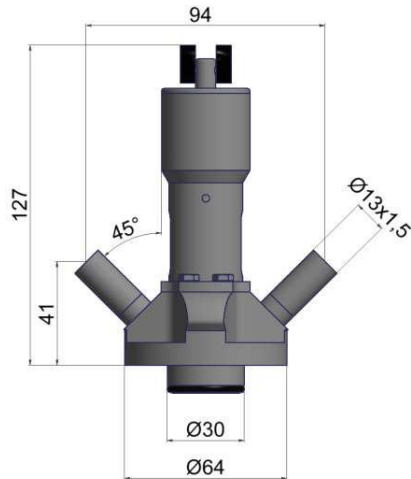
PB1.02.011

Type	kg	Reference number	Price
S	1	70231.2110.01.0001.32	495 €
O	1	70232.2110.01.0001.32	495 €
P	1	70233.2110.01.0001.32	495 €
Reference number for version with 1 outlet:			
e.g. 70231.2 <u>010</u> .01.0001.32			
same price			



## BioCheck DN 10 pneumatic with lever – 3-A Standard 53-06

air to open-spring to close NC - for BioControl connection DN 25

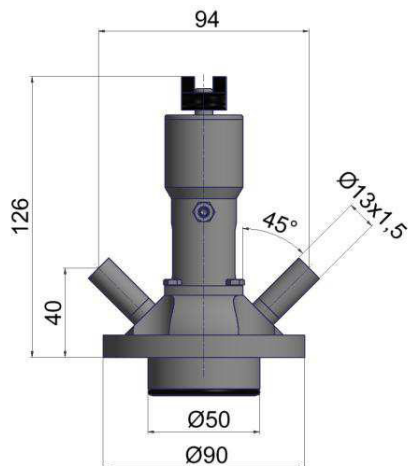


PB1.02.031

Type	kg	Reference number	Price
S	1	70431.2110.01.0401.32	558 €
O	1	70432.2110.01.0401.32	558 €
P	1	70433.2110.01.0401.32	558 €
including O-ring 23,5 x 3 EPDM reference number 1000675			
Reference number for version with 1 outlet:			
e.g. 70431.2 <u>01</u> 0.01.0401.32			
same price			

## BioCheck DN 10 pneumatic with lever – 3-A Standard 53-06

air to open-spring to close NC - for BioControl connection DN 50



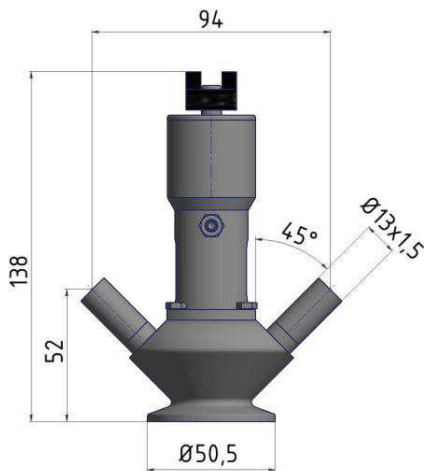
PB1.02.041

Type	kg	Reference number	Price
S	1	70431.2110.01.0701.32	596 €
O	1	70432.2110.01.0701.32	596 €
P	1	70433.2110.01.0701.32	596 €
including O-ring 42 x 3 EPDM reference number 1000040			
Reference number for version with 1 outlet:			
e.g. 70431.2 <u>01</u> 0.01.0701.32			
same price			



## BioCheck DN 10 pneumatic with lever – 3-A Standard 53-06

air to open-spring to close NC - for Tri-Clamp DIN 32676



PB1.02.021

Type	kg	Reference number	Price
S	1,1	70331.2110.01.0001.32	535 €
O	1,1	70332.2110.01.0001.32	535 €
P	1,1	70333.2110.01.0001.32	535 €

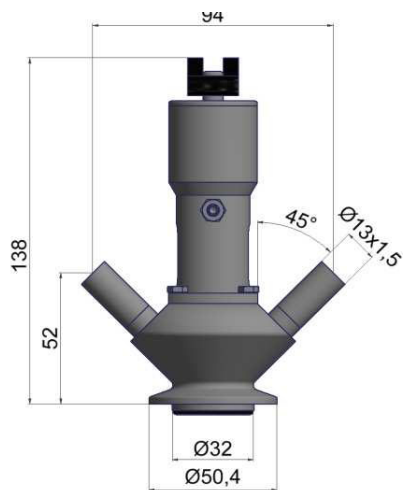
Reference number for version with 1 outlet:

e.g. 70331.2010.01.0001.32

same price

## BioCheck DN 10 pneumatic with lever – 3-A Standard 53-06

air to open-spring to close NC – with BioConnect clamp DN 25 DIN Form V



PB1.02.061

Type	kg	Reference number	Price
S	1,1	70631.2110.01.0001.32	535 €
O	1,1	70632.2110.01.0001.32	535 €
P	1,1	70633.2110.01.0001.32	535 €

without O-ring

Reference number for version with 1 outlet:

e.g. 70631.2010.01.0001.32

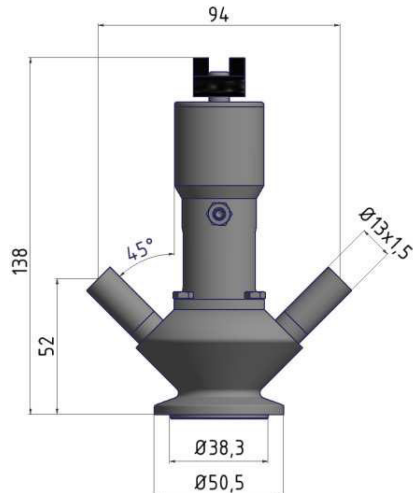
same price

for BioConnect Clamp Form R DIN DN 25  
reference number 109130000254100  
for O-ring 27 x 3 EPDM reference number 1000895



## BioCheck DN 10 pneumatic with lever – 3-A Standard 53-06

air to open-spring to close NC – with clamp ferrule with groove DIN 11864 DN 25 DIN



PB1.02.091-01-NKS25

Type	kg	Reference number	Price
S	1,1	73131.2110.01.0001.32	593 €
O	1,1	73132.2110.01.0001.32	593 €
P	1,1	73133.2110.01.0001.32	593 €
without O-ring			
Reference number for version with 1 outlet:			
e.g. 73131. <u>2010</u> .01.0001.32			
same price			

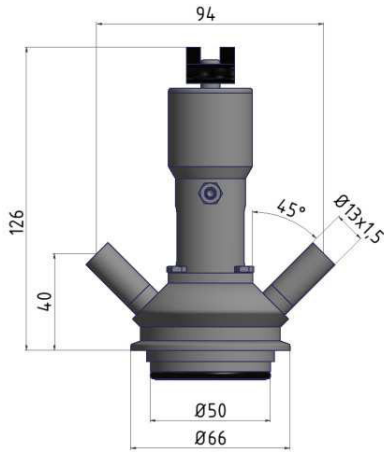
for O-ring 22 x 3,5 EPDM reference number 1000705





## BioCheck DN 10 pneumatic with lever – 3-A Standard 53-06

air to open-spring to close NC – for Varivent Inline body DN 25



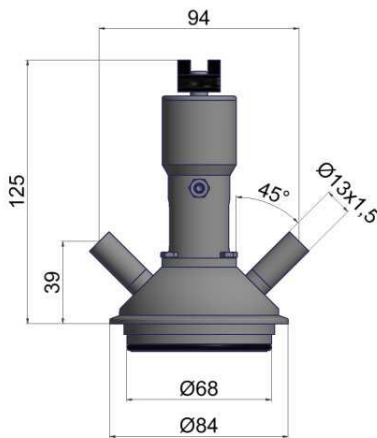
process connection type F

PB1.02.081 – dm 66 mm

Type	kg	Reference number	Price
S	1,1	70531.2110.01.0401.32	596 €
O	1,1	70532.2110.01.0401.32	596 €
P	1,1	70533.2110.01.0401.32	596 €
including O-ring 43 x 3 EPDM reference number 1001437			
Reference number for version with 1 outlet:			
e.g. 70531.2 <u>0</u> 10.01.0401.32			
same price			

## BioCheck DN 10 pneumatic with lever – 3-A Standard 53-06

air to open-spring to close NC – for Varivent Inline body DN 40-125



process connection type N

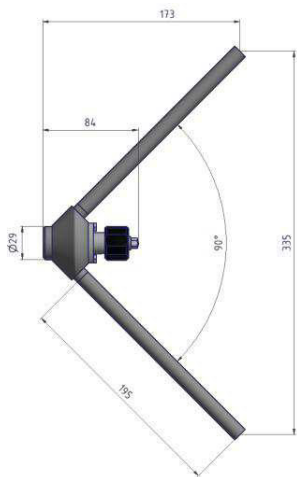
PB1.02.051 – dm 84 mm

Type	kg	Reference number	Price
S	1,4	70531.2110.01.0601.32	596 €
O	1,4	70532.2110.01.0601.32	596 €
P	1,4	70533.2110.01.0601.32	596 €
including O-ring 62 x 3 EPDM reference number 1000759			
Reference number for version with 1 outlet:			
e.g. 70531.2 <u>0</u> 10.01.0601.32			
same price			

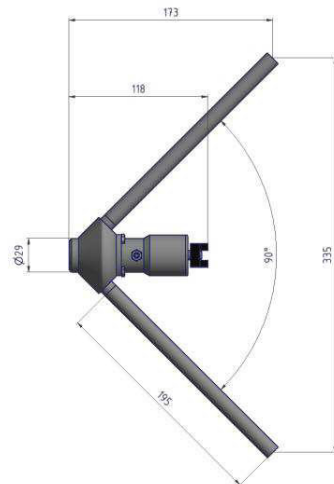


## BioCheck DN 10 for insulated tanks

Application example from real life



Type	Reference number	Price
H	70104.2300.01.0001.32	408 €
with plastic hand wheel		
pipe length approx. 200 mm		
(other lengths upon request)		
for 4 mm wall thickness maximum		

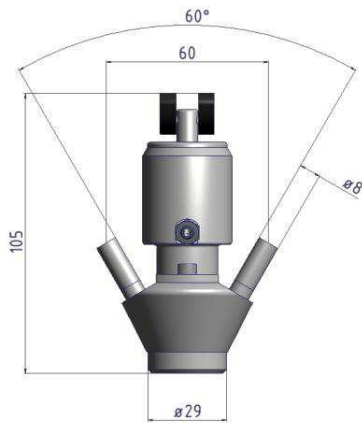


Type	Reference number	Price
S	70101.2300.01.0001.32	508 €
air to open-spring to close NC – with self-closing lever		
pipe length approx. 200 mm		
(other lengths upon request)		
for 4 mm wall thickness maximum		



## Mini BioCheck DN 6 pneumatic with lever

air to open-spring to close NC – for tank

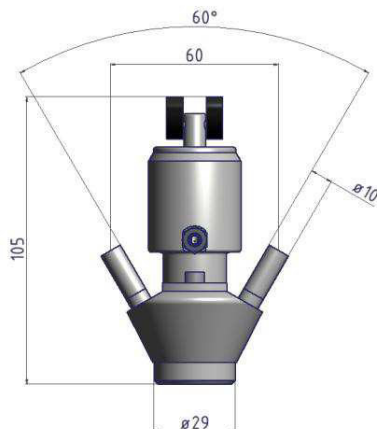


DN 6

Type	kg	Reference number	Price
S	0,5	70101.2110.01.0016.32	430 €
O	0,5	70102.2110.01.0016.32	430 €
P	0,5	70103.2110.01.0016.32	430 €
for 4 mm wall thickness maximum			
Reference number for version with 1 outlet:			
e.g. 70101.2 <u>0</u> 10.01.0016.32			
same price			

## Mini BioCheck DN 8 pneumatic with lever

air to open-spring to close NC – for tank



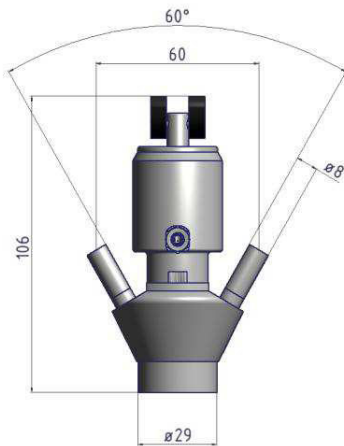
DN 8

Type	kg	Reference number	Price
S	0,5	70101.2110.01.0018.32	430 €
O	0,5	70102.2110.01.0018.32	430 €
P	0,5	70103.2110.01.0018.32	430 €
for 4 mm wall thickness maximum			
Reference number for version with 1 outlet:			
e.g. 70101.2 <u>0</u> 10.01.0018.32			
same price			



## Mini BioCheck DN 6 pneumatic with lever

air to open-spring to close NC – for piping



DN 6

Type	kg	Reference number	Price
S	0,5	70201.2110.01.0016.32	430 €
O	0,5	70202.2110.01.0016.32	430 €
P	0,5	70203.2110.01.0016.32	430 €

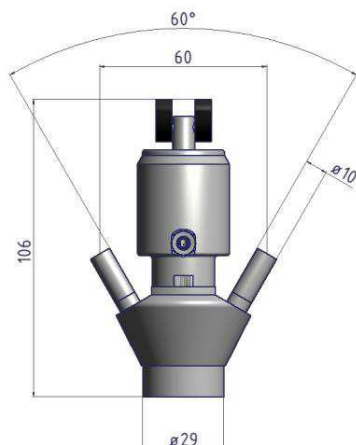
Reference number for version with 1 outlet:

e.g. 70201.2010.01.0016.32

same price

## Mini BioCheck DN 8 pneumatic with lever

air to open-spring to close NC – for piping



DN 8

Type	kg	Reference number	Price
S	0,5	70201.2110.01.0018.32	430 €
O	0,5	70202.2110.01.0018.32	430 €
P	0,5	70203.2110.01.0018.32	430 €

Reference number for version with 1 outlet:

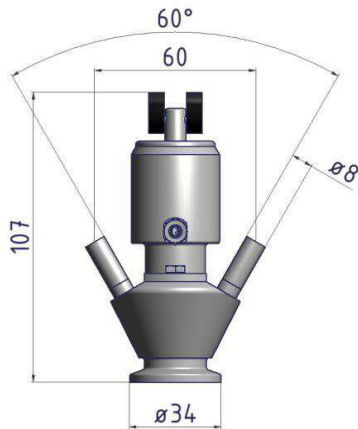
e.g. 70201.2010.01.0018.32

same price



## Mini BioCheck DN 6 pneumatic with lever

air to open-spring to close NC – for clamp dm 34



DN 6

Type	kg	Reference number	Price
S	0,6	70301.2110.01.0016.32	465 €
O	0,6	70302.2110.01.0016.32	465 €
P	0,6	70303.2110.01.0016.32	465 €

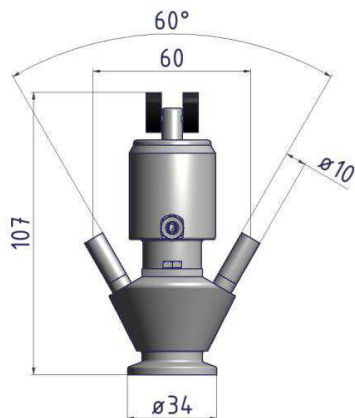
Reference number for version with 1 outlet:

e.g. 70301.2010.01.0016.32

same price

## Mini BioCheck DN 8 pneumatic with lever

air to open-spring to close NC – for clamp dm 34



DN 8

Type	kg	Reference number	Price
S	0,6	70301.2110.01.0018.32	465 €
O	0,6	70302.2110.01.0018.32	465 €
P	0,6	70303.2110.01.0018.32	465 €

Reference number for version with 1 outlet:

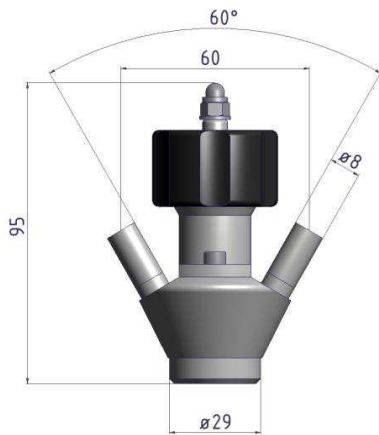
e.g. 70301.2010.01.0018.32

same price



## Mini BioCheck DN 6 with hand wheel

for tank

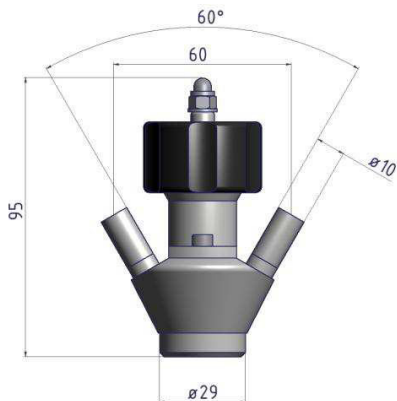


DN 6

Type	kg	Reference number	Price
H	0,3	70104.2110.01.0016.32	330 €
for 4 mm wall thickness maximum			
Reference number for version with 1 outlet:			
70104.2 <u>0</u> 10.01.0016.32			
same price			

## Mini BioCheck DN 8 with hand wheel

for tank



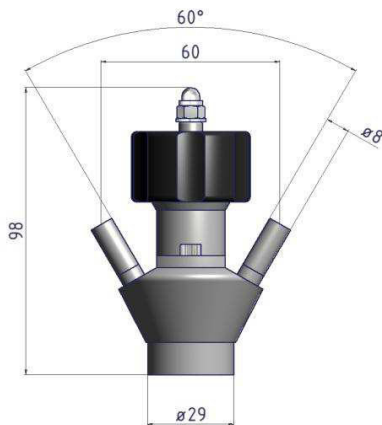
DN 8

Type	kg	Reference number	Price
H	0,3	70104.2110.01.0018.32	330 €
for 4 mm wall thickness maximum			
Reference number for version with 1 outlet:			
70104.2 <u>0</u> 10.01.0018.32			
same price			



## Mini BioCheck DN 6 with hand wheel

for piping

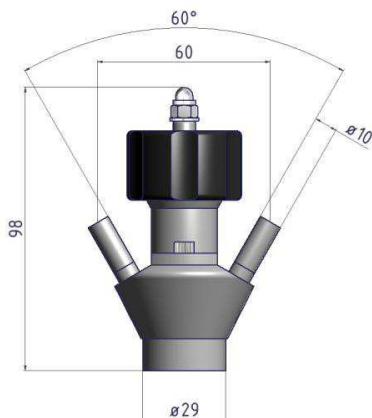


DN 6

Type	kg	Reference number	Price
H	0,3	70204.2110.01.0016.32	330 €
Reference number for version with 1 outlet: 70204.2 <u>0</u> 10.01.0016.32 same price			

## Mini BioCheck DN 8 with hand wheel

for piping



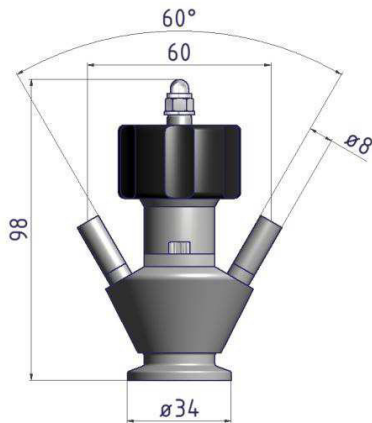
DN 8

Type	kg	Reference number	Price
H	0,3	70204.2110.01.0018.32	330 €
Reference number for version with 1 outlet: 70204.2 <u>0</u> 10.01.0018.32 same price			



## Mini BioCheck DN 6 with hand wheel

for clamp dm 34

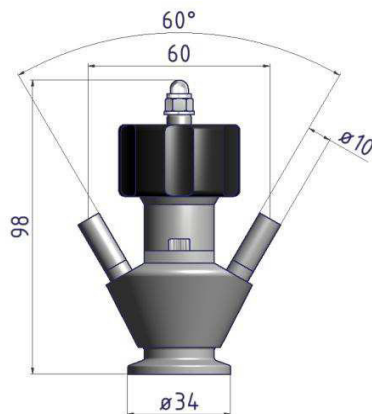


DN 6

Type	kg	Reference number	Price
H	0,4	70304.2110.01.0016.32	365 €
Reference number for version with 1 outlet: 70304.2 <u>0</u> 10.01.0016.32 same price			

## Mini BioCheck DN 8 with hand wheel

for clamp dm 34



DN 8

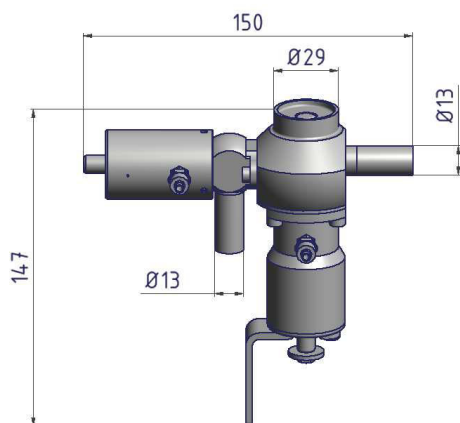
Type	kg	Reference number	Price
H	0,4	70304.2110.01.0018.32	365 €
Reference number for version with 1 outlet: 70304.2 <u>0</u> 10.01.0018.32 same price			





## BioCheck combi valve – Sampling valve with steam valve

air to open-spring to close NC - with 1 CIP valve



for piping - PB31.02.311

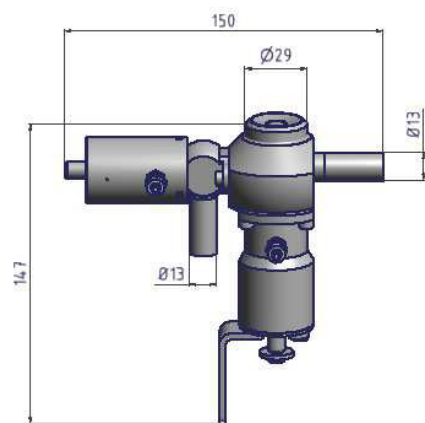
Type	kg	Reference number	Price
S	1,2	72201.2110.01.0001.32	1159 €
with lever			
P	1,2	72203.2110.01.0001.32	1159 €
without lever - with bracket for proximity switch			



TYPE EL - CLASS I certificate - see [www.rr-rieger.de](http://www.rr-rieger.de)

## BioCheck combi valve – Sampling valve with steam valve

air to open-spring to close NC – with 1 CIP valve



for tank - PB31.02.301

Type	kg	Reference number	Price
S	1,2	72301.2110.01.0001.32	1159 €
with lever			
P	1,2	72303.2110.01.0001.32	1159 €
without lever - with bracket for proximity switch			
for 4 mm wall thickness maximum			

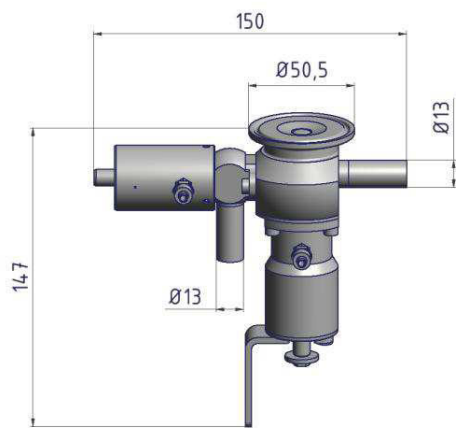


TYPE EL - CLASS I certificate - see [www.rr-rieger.de](http://www.rr-rieger.de)



## BioCheck combi valve – Sampling valve with steam valve

air to open-spring to close NC – with 1 CIP valve



for clamp - PB31.02.321

Type	kg	Reference number	Price
S	1,3	72401.2110.01.0001.32	1189 €
with lever			
P	1,3	72403.2110.01.0001.32	1189 €
without lever - with bracket for proximity switch			
with clamp dm 64 upon request			



TYPE EL - CLASS I certificate - see [www.rr-rieger.de](http://www.rr-rieger.de)

## Accessories

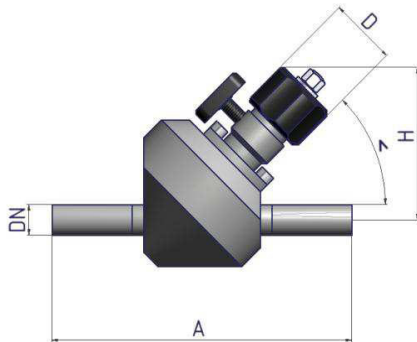
for BioCheck combi valve – Sampling valve with steam valve

	Reference number	Price
Gasket kit for sampling valve product side	5001838	48 €
Steam valve as spare part	5271301	747 €
Insert kit for steam valve	5006078	138 €
Bracket on sampling valve for 1 proximity switch dm 12 mm	5006047	7,90€
Bracket on steam valve for 1 proximity switch dm 8 mm	5006046	7,20 €
Adaption for insulated tanks consisting of 45° elbow and pipe extension of 200 mm at both ports	5007138	78 €



## BioCheck Inclined seat valve S44

with hand wheel

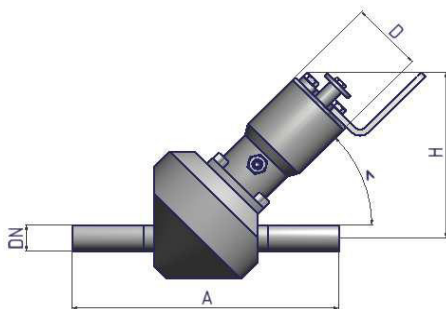


Type	Reference number	Price			
H	70904.2110.01.0001.32	558 €			
<b>Gasket kit product side</b>					
	5002458	62 €			
DN	Pipe	A	H	D	Stroke
10	13 x 1,5	130	65	30	3

< = 45°

## BioCheck Inclined-seat valve S41

pneumatic – air to open-spring to close NC



Type	Reference number	Price			
P	70903.2110.01.0001.32	658 €			
<b>Gasket kit product side</b>					
	5002458	62 €			
DN	Pipe	A	H	D	Stroke
10	13 x 1,5	130	82	35	3

< = 45°

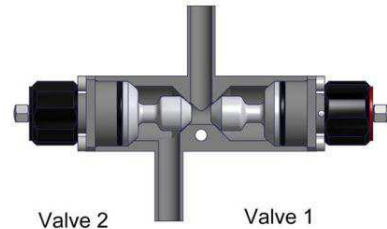


## Sampling into bottle PB5.02

manually operated



illustrated with filter



### Sterile Sampling into Bottle

- for all usual laboratory bottles
- thread GL45 ISO
- for samples from 100 to 2000 ml
- no air contamination
- absolute aseptic system
- with thread for laboratory air filter NPT 1/8"
- weight approx. 1,4 kg

### Sampling procedure

- open valve 2
- sterilize or rinse
- close valve 2
- open **valve 1**
- = sample flows into bottle

### Removal from piping

- close **valve 1**
- dismantle head from bypass

Type	Reference number	Price	Version
SS	75040.2110.05.1101.32	1432 €	2 weld ends 13 x 1,5
TT	75040.2660.05.1101.32	1504 €	2 nozzles for quick coupling
CC	75040.2440.05.1101.32	1524 €	2 clamps DN 10 DIN 32676 Ø 34

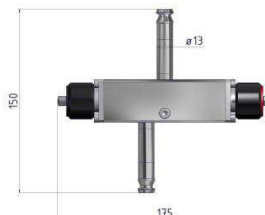
with 250 ml bottle, without filter

**Accessories: see page 37**

Sampling head with  
2 weld ends 13 x 1,5



Sampling head with 2 nozzles  
for quick coupling



Sampling head with  
2 clamps DN 10  
DIN 32676 Ø 34 mm





## Gasket kit product side

for standard valve



Type	Reference number	kg	Price
material: PTFE/Silicone			
(O-ring Silicone not in contact with product)			
DN 6 and 8	5005480	0,02	48 €
DN 10	5001838	0,02	48 €

## Gasket kit product side

for Type Ingold



Type	Reference number	kg	Price
material: PTFE/Silicone			
(O-ring Silicone not in contact with product)			
PB6/PB7	5005111	0,03	166 €



## Gasket kit product side

for Inclined-seat valve



Reference number	kg	Price
material: PTFE/Silicone		
(O-ring Silicone not in contact with product)		
5002458	0,02	62 €

## Nozzle for DN 10

for quick coupling



DN	Reference number	kg	Price
1.4435	5005046	0,05	36 €
1.4404	5004227	0,05	33 €
including welding and inner surface finish			
Ra 0,8 µm mechanically polished			



## Quick coupling for valve DN 10

for nozzle



Material	Reference number	kg	Price
1.4305	3000616	0,2	95 €
Length: approx. 150 mm (expandible because of spiral spring)			
for hoses with inner dia 11 and outer dia approx. 12,5 mm			
- quick coupling not discountable -			
hose PTFE	3002369		28 €/m

## BioShut Quick coupling cap for valve DN 10

for nozzle



Material	Reference number	kg	Price
1.4305/ 316L	5016616	0,13	119 €
length: approx. 51 mm for product pressure max. 10 bar			
Spare parts:			
EPDM	O-ring 13,3 x 2,4 - 1000693		3 €
316L	closing cover - 5006616		18 €
1.4305	coupling – 3000616-010		100 €

not discountable



## BioCap protection set DN 10

for nozzle for quick coupling



Material	Reference number	kg	Price
rubber/steel	5002825	0,04	80 €
consisting of			
2 rubber caps			
2 hooks for rubber caps			
2 chains with loop			

## BioCap S Welded closure for valve DN 10

with cap



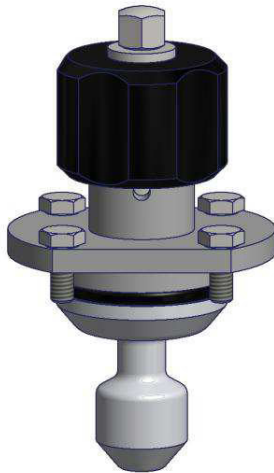
Material	Reference number	kg	Price
316L	5005146	0,2	125 €
consisting of			
1 nipple 3/8" 1012600003830			
1 cap with knob and gasket 3000381			
1 chain with loop 3000509			
including welding and inner surface			
Ra 0,8 µm mechanically polished			





## Manual drive for DN 10

with hand wheel



Material	Reference number	kg	Price
304/POM/ PTFE/Silicone	5200033	0,2	190 €
including gasket kit product side			

## Hand wheel

for manual drive DN 6, 8 and 10

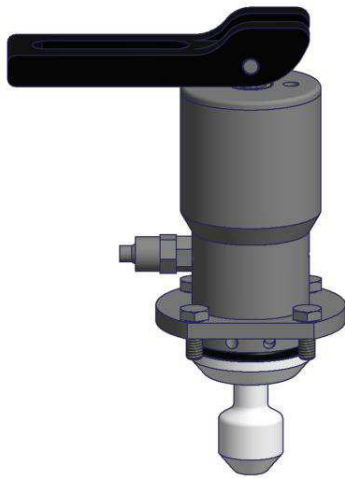


Material	Reference number	kg	Price
POM	PB4.03.004-01	0,01	10 €



## Pneumatic drive for DN 10

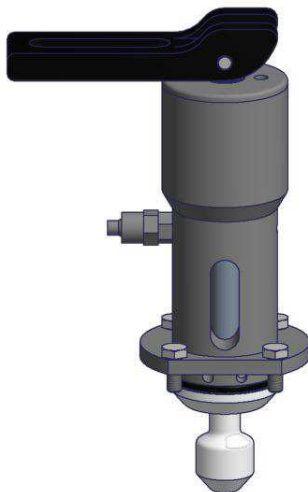
with self-closing lever



Material	Reference number	kg	Price
304/PTFE/ Silicone	5200032	0,4	290 €
including gasket kit product side			

## Pneumatic drive for DN 10 – 3-A Standard 53-06

with self-closing lever



Material	Reference number	kg	Price
304/PTFE/ Silicone	5200332	0,5	334 €
including gasket kit product side			



## Manual drive for DN 6 and 8

with hand wheel



Material	Reference number	kg	Price
304/PTFE/ Silicone	5200038	0,2	190 €
including gasket kit product side			

## Pneumatic drive for DN 6 and 8

with self-closing lever



Material	Reference number	kg	Price
including gasket kit product side			
304/PTFE/ Silicone	5200832	0,3	290 €
with lever			
5220832			
0,3			
288 €			
without lever			
5230832			
0,3			
290 €			
with lever and plug in air connection			



## Lever

for pneumatic cylinder



Material	Reference number	kg	Price
PA 6	5005625	0,01	7,70 €
	for version "self-closing"		
	with board lock		
PA 6	5005631	0,01	8,50 €
	for version "open position"		
	with board lock		

## Accessories

for sampling into bottle PB5.02

Material	Reference number	Price	
POM	5004692	135 €	adaptor for bottle (with O-ring)
PTFE	3000057	30 €	filter dm 25, 0,2 µm pore size
PTFE/Silicone	5002117	102 €	gasket kit product side
	3000878	16 €	Duran laboratory bottle 250 ml
	3002278	22 €	Duran laboratory bottle 500 ml
	3001783	35 €	Duran laboratory bottle 1000 ml
	3001782	90 €	Duran laboratory bottle 2000 ml